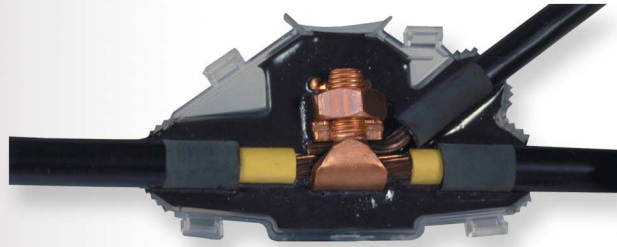


CELLPACK Resin Cable Joint Kits



Cellpack 'YCP' Cable Joints

For cables up to 1.2 kV

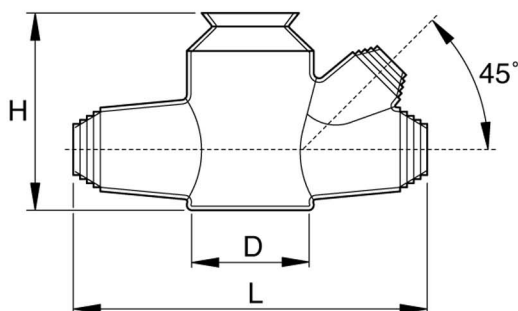
Application:

Suitable to branch-off single-core cables or wires, e.g wires for cathodic corrosion protection from chemical and electrochemical reactions below surface and water. Pipes, warehouse containers, electric supply lines and other metal constructions are effectively protected against passive corrosion (plastic casings, mastic-glass fibre casings).

Features:

- High electrical insulation values
- Watertight both longitudinally and transversely
- High mechanical strength
- Good resistance against UV-radiation, alkaline earths and chemical agents
- Standard resin storable for up to 40 months
- High quality polycarbonate moulds
- Visible splice position before casting
- Extremely simple and fast fitting - saving time and cost
- Immediately operational

Part No.	L (mm)	B (mm)	D (mm)	H (mm)
YCP	135	48	44	75



All joints are supplied with clear mould, resin pack, earth continuity, gloves, sealing tape.

Earth braid can be supplied separately.